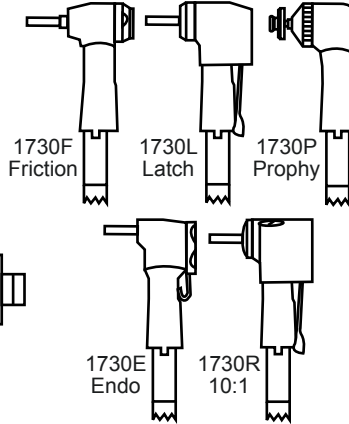
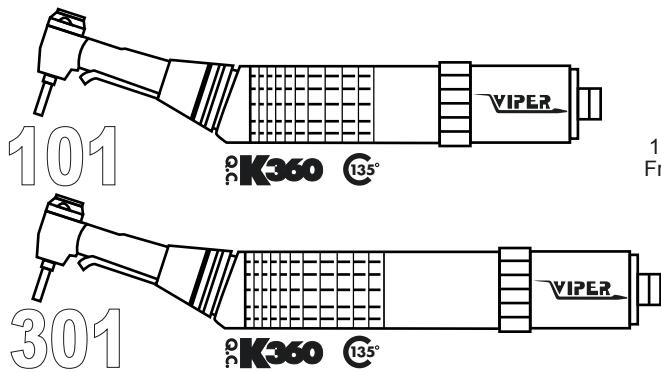


SPECIFICATIONS

Low Speed Handpieces

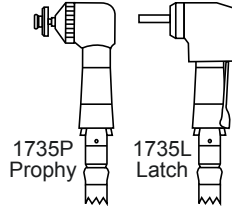
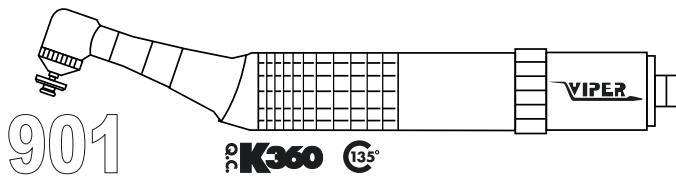
1721/1723 VIPER 101/301 Low Speed, 360 Swivel Fiberoptic



101 Speed: 25,000 rpm
Torque: 190 gf-cm
Pressure: 36-50 psi
Air: 32 l/min
Body Dia.: 17 mm
OAL Length: 118 mm
Weight: 67 g

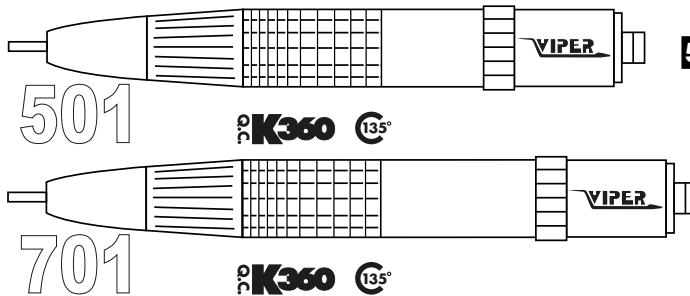
301 Speed: 6500 rpm
Torque: 540 gf-cm
Pressure: 36-50 psi
Air: 32 l/min
Body Dia.: 17 mm
OAL Length: 126 mm
Weight: 73 g

1729 VIPER 901 Low Speed Hygiene, 360 Swivel



901 Speed: 6500 rpm
Torque: 540 gf-cm
Pressure: 36-50 psi
Air: 32 l/min
Body Dia.: 17 mm
OAL Length: 120 mm
Weight: 70g

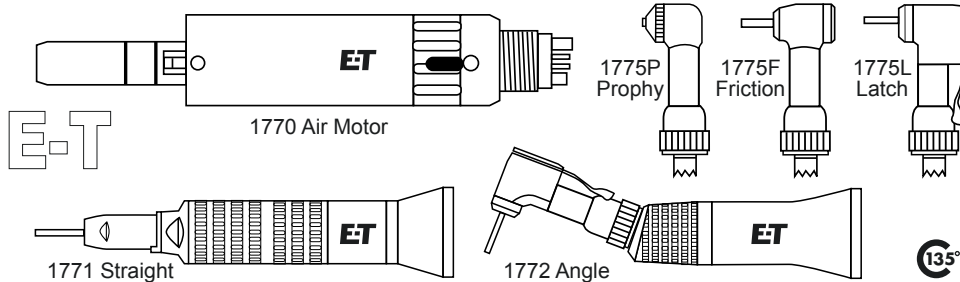
1725/1727 VIPER 501/701 Low Speed Straight, 360 Swivel



501 Speed: 25,000 rpm
Torque: 190 gf-cm
Pressure: 36-50 psi
Air: 32 l/min
Body Dia.: 17 mm
OAL Length: 120 mm
Weight: 66 g

701 Speed: 6500 rpm
Torque: 540 gf-cm
Pressure: 36-50 psi
Air: 32 l/min
Body Dia.: 17 mm
OAL Length: 128 mm
Weight: 72 g

1770 E-T Style Universal Low Speed, ISO-B 4-Hole



E-T Speed: 5500 rpm
Torque: 1500 gf-cm
Pressure: 36-50 psi
Air: 55 l/min
Body Dia.: 20 mm
OAL Length: 70 mm
Weight: 95 g



KINETIC INSTRUMENTS inc.

Telephone: 203-743-0080
Toll Free: 800-233-2346
24hr Fax: 203-790-1227
Website: www.kineticinc.com
e-mail: kineticinc@snet.net

Berkshire Boulevard. Bethel, CT 06801