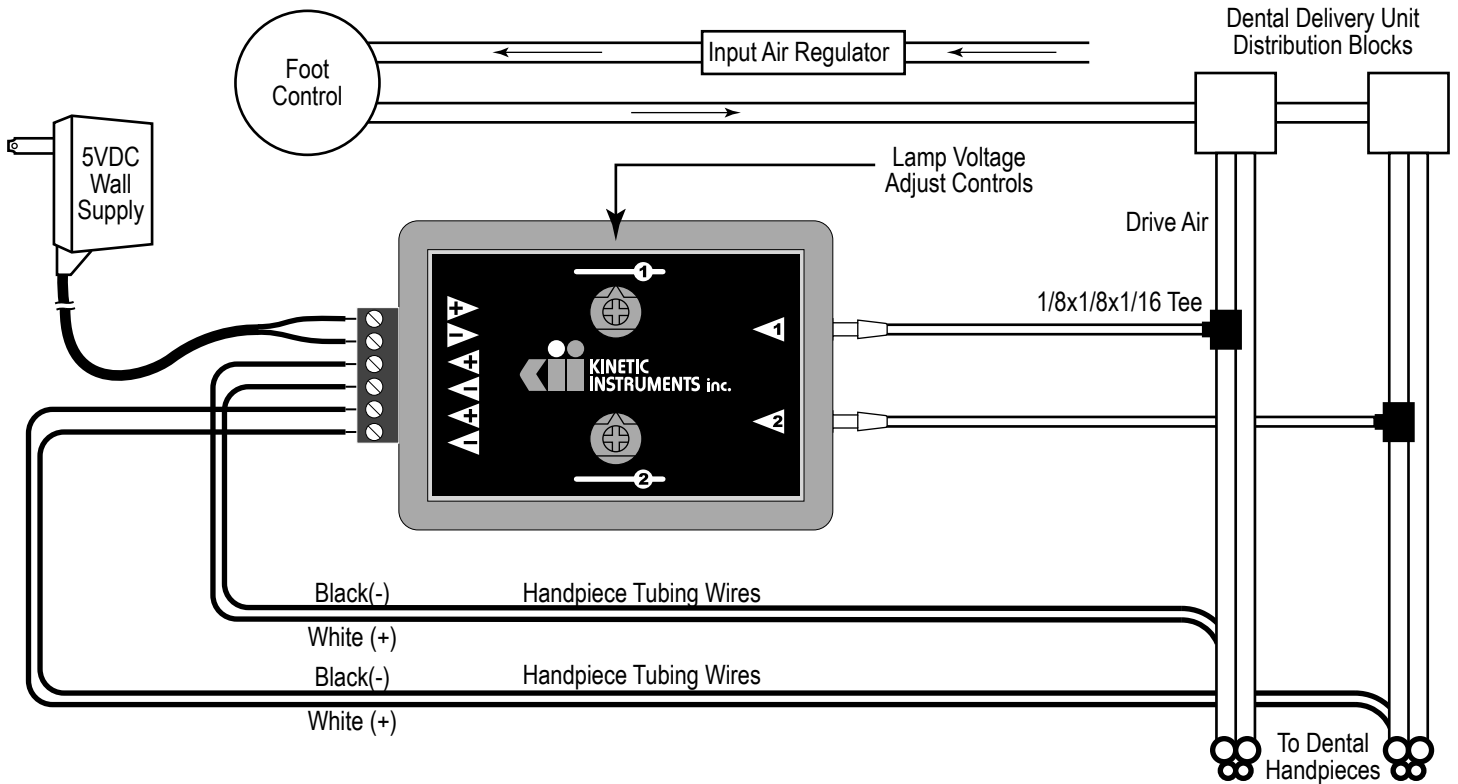


Power Pack Model 331 Installation Diagram



Power Pack Model 313 Installation Diagram

